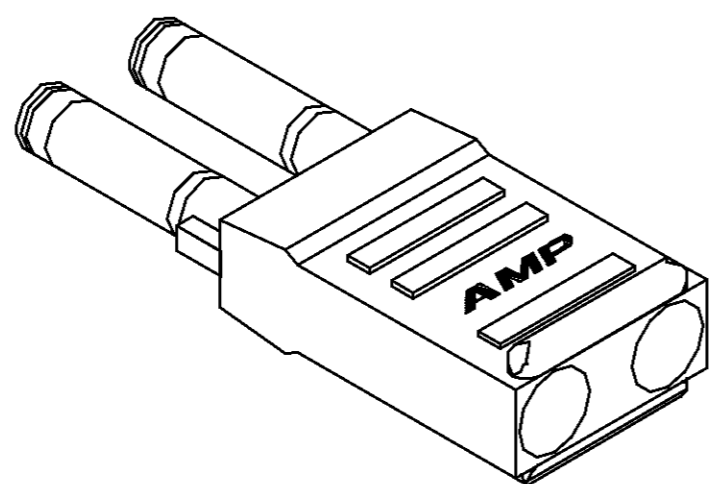
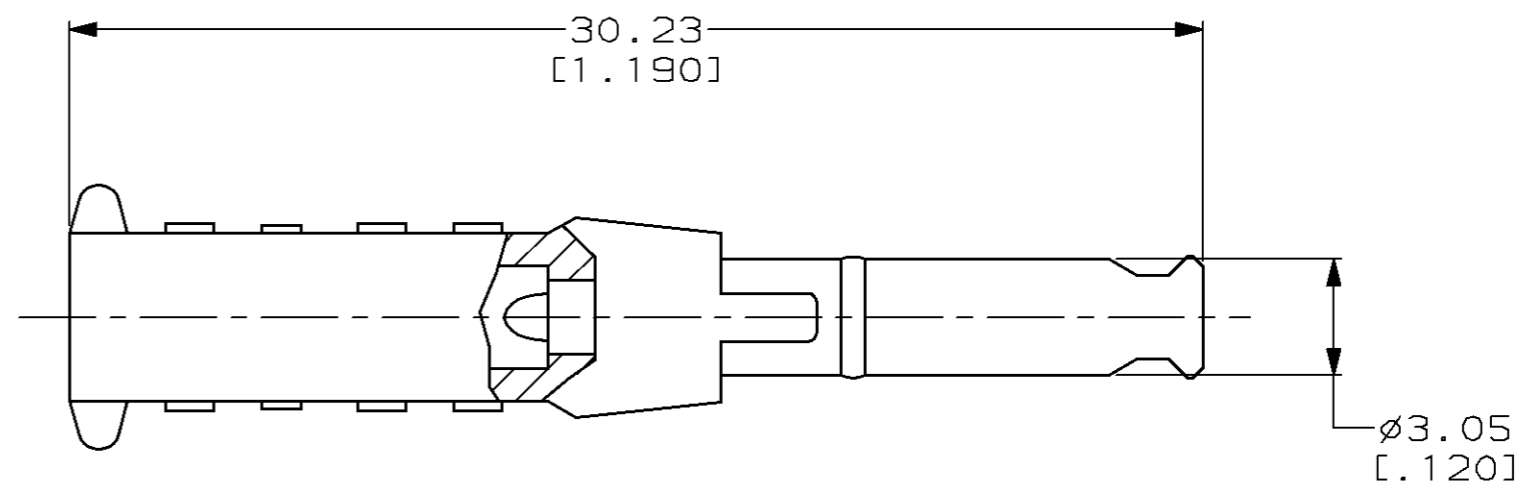
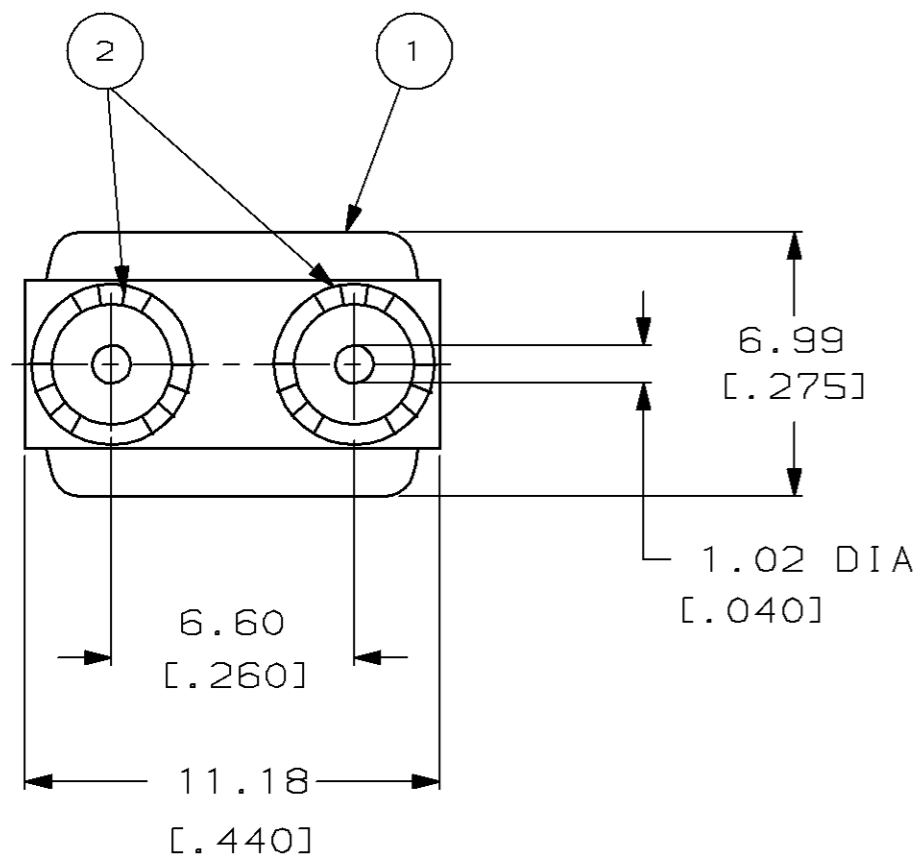


THIS DRAWING IS UNPUBLISHED. RELEASED FOR PUBLICATION ,19 .
 © COPYRIGHT 19 BY AMP INCORPORATED, HARRISBURG, PA. ALL INTERNATIONAL RIGHTS RESERVED. AMP PRODUCTS MAY BE COVERED BY U.S. AND FOREIGN PATENTS AND/OR PATENTS PENDING.

LOC	DIST	P	F	ZONE	LTR	DESCRIPTION	DATE	APPROVED
CE	16				D	REDRAW W/CHG CE-783		
					E	REVISED PER 0A00-0049-99	19FEB99	KM

1. DIMENSIONS IN [] ARE IN INCHES



METRIC

QTY REQD PER ASSY	PART NO	DESCRIPTION	ITEM NO
2	228046-1	RETENTION CLIP	2
1	228044-1	DUAL POSITION PLUG	1

UNLESS OTHERWISE SPECIFIED DIMENSIONS ARE IN MM TOLERANCES ON: 2 PL DEC ± .25 [.010] 3 PL DEC ± - ANGLES ± -	DR 9-15-86 J. ZEIDERS CHK 9-15-86 W. MILLER APPD 9-15-86 A. PLOTTS APPD 9-15-86 K. MONROE	AMP AMP INCORPORATED Harrisburg, Pa. 17105	
MATERIAL PLUG: THERMOPLASTIC COLOR: BLACK CLIP: BRASS	PRODUCT SPEC 108-45104	NAME PLUG ASSY, DUAL POSITION, DNP, OPTIMATE	
FINISH -	APPLICATION SPEC IS SHEET 2974	SIZE B	FSCM NO 00779
	WEIGHT 1.4g	DRAWING NO 228088	
		SCALE NTS	SHEET 1 OF 1